



How To

# Get **dis**connected

Disconnecting your downspouts is a **4** part process. The instructions inside will guide you through the process.

## ① Get started:

Start by walking around your property. Consider the following:

- ✓ The location and number of downspouts on your home.
- ✓ How much yard do you have available for drainage? You need at least 10 per cent of your roof area, within your yard, to safely absorb the storm water.
- ✓ Will the water flow away from your home's foundation? It is recommended that disconnected downspouts discharge water at least two meters (six feet) from the home's basement (or two feet from a slab foundation.)
- ✓ Your disconnected downspout should not drain onto your neighbor's property or a public walkway.
- ✓ Having downspouts flow over your driveway, patio, or walkway, can cause ice to form in cold weather and could create a slip or trip hazard even in warm weather.

In assessing your property, consider disconnecting those downspouts that are simple. You may wish to hire a contractor to suggest solutions for downspout disconnection.

## ② Get prepared:

Plan your disconnection in advance.

There may be more than one option for disconnecting your downspouts. To make disconnection easier, consider combining elbows and extensions to send water in a preferred direction, or to get around obstacles. Remember, it is recommended that the water drain two meters (six feet) from your home's foundation.

Once you've developed your plan for disconnecting, collect the tools and materials you will need to do the work.

Here are some of the tools you will need:



Purchase the following from your local hardware store:

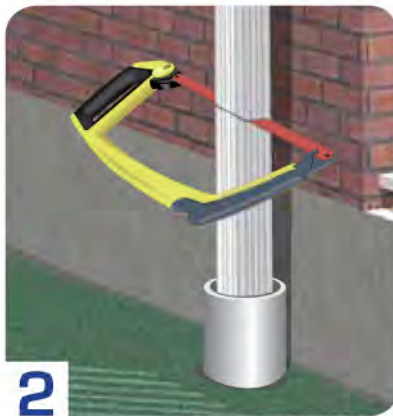


# 3) Get disconnected!



**1**

Start by measuring nine inches up the pipe from where the downspout enters the standpipe.



**2**

Hold onto the short piece so it doesn't fall into the pipe and cut the downspout with a hacksaw at the nine inch mark.



**3**

Remove the cut piece of downspout.



**4**

Cap the standpipe where it enters the ground. This prevents any debris, water or small animals from getting into the system and causing a blockage.



**5**

Attach the elbow OVER the downspout to prevent leaking.



**Tip**

You may need to crimp the downspout with pliers to make it fit inside the elbow.



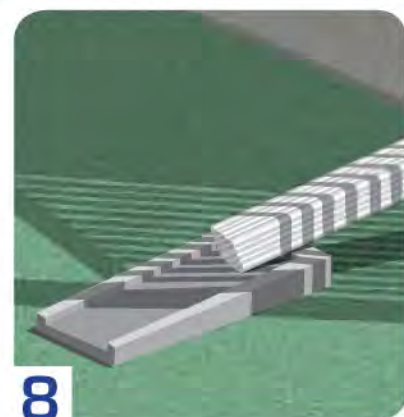
**6**

Measure, cut, and attach any needed extensions OVER the elbow to prevent leaking.



**7**

Drill holes and secure the elbows and extensions with sheet metal screws. (Self tapping screws have a sharp end so you don't need to pre-drill a hole) One screw on each side is typically enough. (two to four screws)



**8**

Adding a splash pad at the end of the extension will help prevent erosion.

If the downspout you've disconnected isn't attached to your home, you should secure it with a bracket or strap to the side of your house.



## ④ Maintenance:

Once you've disconnected, it's important to maintain your eaves troughs and downspouts.

At least twice a year you should:

- ✓ Clean eaves troughs. This is especially important if you have mature trees near your home.
- ✓ Check downspouts and extensions for blockages.
- ✓ Repair any damage or visible leaks at connection points.
- ✓ Ensure eaves troughs drain into your downspouts.

